

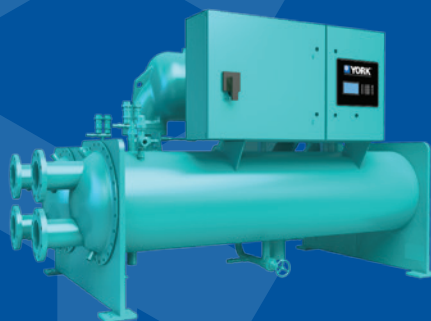


INSTALL CONFIDENCE



# YGWS WATER-COOLED SCREW CHILLER

Cooling Capacity: 100 – 330TR





In order to meet continuously changing and increasing HVAC market requirement, Johnson Controls introduces the brand new HFC-134a water-cooled screw chiller YGWS. YGWS offers optimized efficiency at a more competitive price range, with benefit of flexibility, reliability and sustainability. The chiller is suitable for the light commercial market, i.e. hotels, retail stores, small and medium-sized factories, hospitals etc.

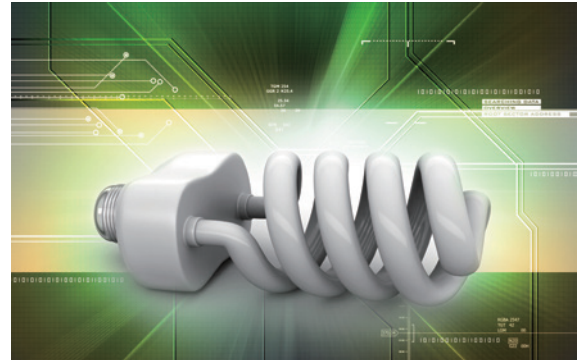




## Chiller Features

### Efficiency

- High efficiency semi-hermetic screw compressor
- Patented hybrid falling film evaporator offers excellent efficiency of heat transfer with optimized heat exchanger design and compact structure
- Step-less capacity control keeps the compressor operating efficiently at every load point



### Flexibility

- Button start, easy to install and operate
- Supports remote monitoring and control via Modbus protocol
- Compact design yields a small footprint saving customer installation cost



### Reliability

- Every chiller undergoes functional tests to ensure key parameters meet specific requirement
- Internal oil system provides adequate protection to the unit's compressor



### Sustainability

- YGWS chiller uses environment-friendly refrigerant R134a which has no phase-out schedule under Montreal Protocol
- Patented hybrid falling film evaporator operates with less refrigerant charge



# Mechanical Specifications

The YGWS model is completely assembled with all interconnecting refrigerant piping and internal wiring, ready for field installation. The unit is pressure tested, evacuated, and fully factory-charged with oil in the refrigerant circuit. After assembly, a run test is performed with water flowing through the cooler to ensure that each refrigerant circuit operates correctly. The chiller conforms to GB25131 Safety requirements for water chillers and heat pumps.

## Compressor

Highly efficient and precisely manufactured direct drive, semi-hermetic oil-injected compressor for highest efficiency. 25%-100% step-less capacity control for highest part-load efficiency. Compressor design working pressure of 2.1MPa. The compressor housing is made of cast iron and provides optimal space for two ground-finishing screw rotors. The rotors are manufactured from forged steel with very small clearance but no direct contact. The design ensures that the rotors keep in the right positioned, reduces wear, prevents leak and prolongs life span. The external oil separation system design ensures a constant supply of oil to the bearings at all times. An automatic control valve ensures the compressor starts at the minimum motor load and an internal discharge check valve prevents a rotor backspin upon shutdown.

**Compressor Motor Protection** – The microprocessor motor protection provides over-current protection to ensure that the motor is not damaged due to voltage imbalance, excess refrigerant or other problems that could cause excessive motor current.

The microprocessor also provides low motor current protection when it senses a motor current of less than 10% FLA. A motor protector module provides over-heating protection.

**Capacity Control** – The compressor slide valve modulates the capacity from 100% to 25% of the full load. The slide valve will be adjusted according to the system's load requirement.

## Refrigerant System

Liquid line components include a manual shut-off valve, refrigerant recovery valve, moisture sight glass and orifice plate. Suction lines are covered with closed-cell insulation. The orifice of the refrigerant system automatically adjusts to the continuously changing pressure condition and modulates refrigerant flow to the evaporator accordingly.

The condenser shell is capable of storing the entire system refrigerant charge during servicing if the unit is equipped with the optional condenser isolation valve.

The unit is furthermore equipped with a suction strainer to prevent any particles from entering the compressor along with the suction gas.

**Oil System** – The high efficient oil separation system provides adequate protection to the unit's compressor. It is equipped with an oil heater in oil sump to avoid refrigerant and oil mix when the chiller is not operating. During the chiller operation, the system operation pressure automatically transfers the oil in the oil sump back to the compressor. An oil filter is installed in the oil pipeline to prevent any particles from entering the compressor.

## Heat Exchanger

**Condenser** – The refrigerant circuit water-cooled condenser is a cleanable shell and tube type heat exchanger with seamless external finned copper tubes rolled into tube plates. The design working pressure on the water side is 1MPa. The factory offers standard groove type water pipe connections. Meanwhile HG20615 flange type connections can be offered as an option. The refrigerant side has a safety valve with trip pressure of 2.07MPa. The condenser is manufactured and tested according to China National Standard GB151.

**Evaporator** – The evaporator utilizes a hybrid falling film design which contains a balance of flooded and falling film technology to optimize efficiency, minimize refrigerant charge, and maintain reliable control. A specifically designed spray distributor provides uniform distribution of refrigerant over the entire length to yield optimum heat transfer. The hybrid falling film evaporator design has suction baffles around

the sides and above the falling film section to prevent liquid refrigerant carryover into the compressor. A sight glass of 40mm diameter is also equipped on the shell side for refrigerant level observation. The design working pressure is 2.1MPa for shell and 1.0MPa for tube side. The refrigerant side has a safety valve with trip pressure of 2.07MPa. The refrigerant side is manufactured and tested according to China National Standard GB151.

The evaporator shell is covered with 19mm closed-cell insulation. The factory offers groove type water pipe connections as standard. Meanwhile HG20615 flange type connections can be offered as an option. During the installation the contractor should furnish the insulation layer.

**Compact Water Box** – A removable Compact Water Box is fabricated from steel pipe with 1.0MPa design working pressure. Steel diaphragms are welded inside the water box as per the number of the flow pass. The factory offers groove type water pipe connections as standard. Meanwhile HG20615 flange type connections can be offered as an option. Vent and drain plugs are provided on each evaporator and condenser water box as standard.

## Codes & Standards

YGWS meets the following codes & standards:

- AHRI550/590 and 551/591 \*
- China Refrigeration and Air Conditioning Association
- GB25131-Safety requirements for water chillers (heat pumps) using the vapor compression cycle
- GB/T18430.1-Water chilling (heat pump) packages using the vapor compression cycle – part 1: Water chilling (heat pump) packages for industrial & commercial and similar application



## Electronics

**Starter and Control Panel** – The unit comes equipped with unit mounted Wye-Delta Starter and control panel. All wiring is completely tested in the factory but field installation is excluded.

The painted galvanized steel panel enclosure meets the requirement of IP22 protection. The control panel is divided into a power section and a control section. Power and control sections have separate hinged, latched and gasket sealed doors. The power panel has a single power connection. Each power compartment contains compressor starting contractors, control circuit serving compressor capacity control, compressor contractor coils and compressor motor overloads. The compressor motor overloads contain current transformers as an input to the microprocessor. Compressor power supply protection modular protects high input voltage, low input voltage, phase reversal and lack of phase. The control section contains key pad, HMI and microprocessor board.

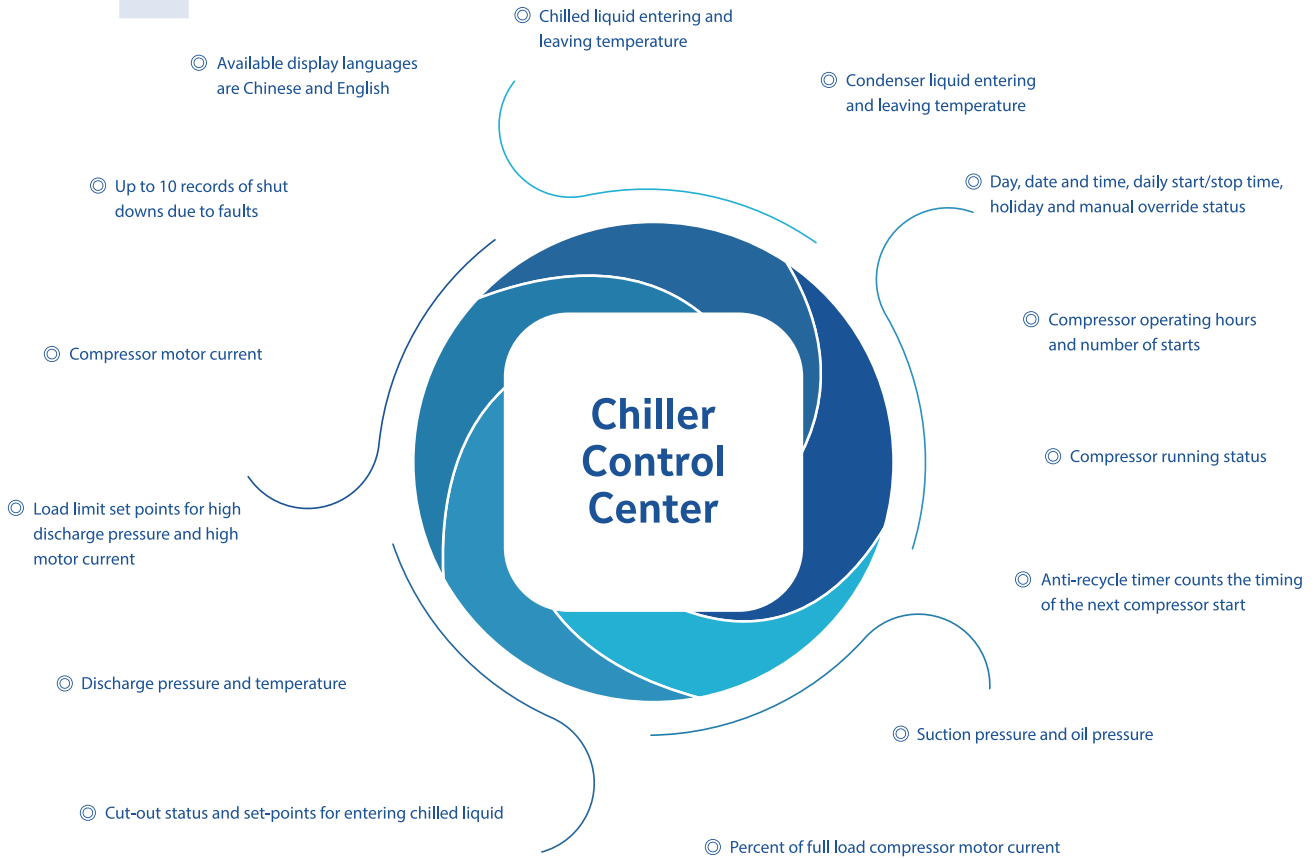
**Microprocessor and display** – The user can program and modify set points as well as general using the keypad. Additional changes such as cut-outs for low suction pressure, high discharge pressure, high oil temperature or high discharge pressure unloading set points and compressor motor current percent limit are password protected.

Through standard RS485 interface, the microprocessor can be connected to any Building Management System via MODBUS Protocol.



\*YORK® YGWS chillers have been tested and certified by Air-Conditioning, Heating and Refrigeration Institute (AHRI) in accordance with the latest edition of AHRI Standard 550/590 (I-P). Under this Certification Program, chillers are regularly tested in strict compliance with this Standard. This provides an independent, third-party verification of chiller performance. Refer to the AHRI site at: <http://www.ahrinet.org/WCCCL.aspx> for complete Program Scope, Inclusions, and Exclusions as some chiller sizes and options listed herein fall outside the scope of the AHRI certification program. For verification of certification, go to the AHRI Directory at [www.ahridirectory.org](http://www.ahridirectory.org).

The microprocessor system is designed to monitor and control many key variables and can display the following items at its 120 character and 8-line big LCD display in metric unit (°C and kPa):



## Chiller Standard configuration

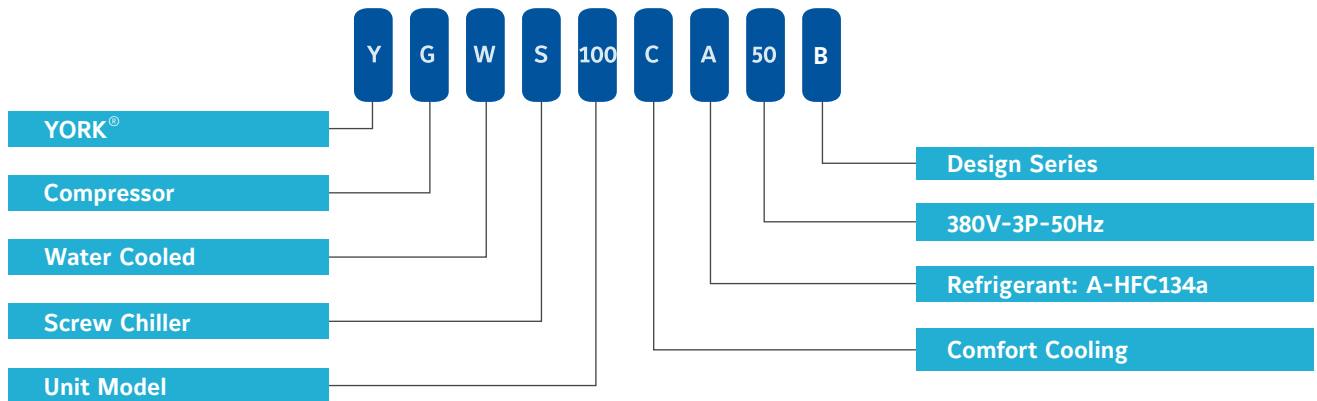
**Chiller Insulation** – The unit comes factory fitted with a 19mm thick flexible closed-cell plastic anti-sweat insulation attached to the evaporator shell, tube sheets, suction connection, and (if necessary) to the auxiliary tubing. The 19mm thick insulation can prevent sweating in environments with relative humidity up to 75% and dry bulb temperatures ranging from 10 to 32°C.

**Flow switch** – The design working pressure of paddle type flow switch is 1.03MPa (Gauge). It is suitable for chilled liquid and condenser liquid pipes. The power supply of flow switch is 125 V.A.C., 1 Phase, 50 Hz.

**Painting** – The chiller surface is painted with anticorrosion and durable caribbean blue epoxy primer and propionic acid one-component top coat.

**Shipping** – Production covers are provided for the control center and controller on the unit. Plastic caps or fabric cover plate are provided for all water pipe connectors.

## Nomenclature - YGWS100CA50B



## Options

### 25mm Spring Isolators

The unit comes with four lose 19mm thick anti-vibration neoprene pads as standard for field installation. When the unit is installed on the floor, Spring Isolators are recommended to replace the standard neoprene pads. 4 level adjustable Spring Isolators with non-slip mat will be delivered lose and can be conveniently mounted under the tube sheet.

### Water Flanges

Four 150 lb. flanges, for condenser and evaporator water connections, are factory welded to water nozzles. Companion flanges, bolts, nuts and gaskets are not included.

### Left/Right Pipe Connection

Left or right piping connection can be chosen according to specific project requirement for easy installation.

### Thicker Evaporator Insulation (38mm)

The 38mm thicker insulation is an option in case of relative humidity up to 90% and dry bulb temperatures ranging from 10 to 32°C. It is recommended for low temperature or high humidity areas and helps to avoid the sweat on the surface of the unit.

### Refrigerant Isolation Valve

The condenser shell is capable of storing the entire system refrigerant charge during servicing if the unit is equipped with the optional isolation valve.

### Refrigerant Storage / Recycling System

A refrigerant storage/recycling system is a self-contained package consisting of a refrigerant compressor with oil separator, storage receiver, water-cooled condenser, filter drier and necessary valves and hoses to remove, replace and distill refrigerant. All necessary controls and safety devices are a permanent part of the system. Typically not required if unit isolation valves are provided.

# Technical Data

## Chiller Performance Data

Model	Cooling Capacity		Input Power kW	COP	FLA	Full load Consultation Index kW/TR	Evaporator				Condenser			
	TR	kW					kW	kW/TR	Pass	Flow Rate GPM	Pipe Dimension mm	Water Pressure Drop ft H <sub>2</sub> O	Pass	Flow Rate GPM
YGWS100	96.81	340.5	68.77	4.951	118	0.7104	2	231.6	125	7.19	2	301.6	125	14.6
YGWS130	120.8	424.9	85.18	4.988	143	0.7050	2	289.0	125	16.3	2	375.8	125	20.4
YGWS160	158.4	557.2	109.5	5.089	185	0.6911	2	379.0	125	11.0	2	491.7	125	17.1
YGWS175	175.4	616.8	121.2	5.088	206	0.6913	2	419.5	150	11.4	2	544.3	150	19.7
YGWS200	190.3	669.3	131.6	5.087	224	0.6914	2	455.3	150	11.9	2	590.5	150	19.1
YGWS230	227.6	800.3	158.9	5.035	266	0.6985	2	544.4	150	16.2	2	707.0	150	24.8
YGWS260	259.0	910.9	178.9	5.092	299	0.6906	2	619.6	150	15.7	2	802.9	150	24.6
YGWS300	298.9	1051	207.3	5.071	345	0.6935	2	715.0	150	25.5	2	925.9	200	15.0
YGWS330	326.6	1149	228.0	5.038	380	0.6981	2	781.3	150	26.3	2	1013	200	15.1

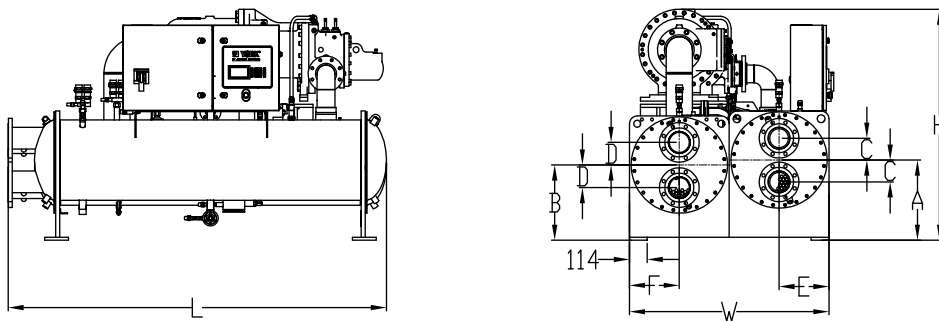
Remarks: 1. Chilled liquid leaving / entering temperature 44F/54F, fouling factor 0.0001hr ft<sup>2</sup> °F / Btu.  
 2. Condenser liquid entering / leaving temperature 85F/94.3F, fouling factor 0.00025hr ft<sup>2</sup> °F / Btu.  
 3. The above data are based on Johnson Controls' selection software: AECworks 5.4. Please refer to the latest version of the computer selection for specifics.

## Physical Data

Model	Refrigerant circuit No	Refrigerant Charge	Compressor Qty	Capacity Control %	Weight	
					Shipping Weight kg	Operating Weight kg
YGWS100	1	75	1	25-100%	2470	2600
YGWS130	1	90	1	25-100%	2710	2850
YGWS160	1	95	1	25-100%	3010	3190
YGWS175	1	110	1	25-100%	3210	3410
YGWS200	1	110	1	25-100%	3300	3520
YGWS230	1	150	1	25-100%	4540	4900
YGWS260	1	150	1	25-100%	4600	4990
YGWS300	1	200	1	25-100%	5410	5910
YGWS330	1	210	1	25-100%	5440	5940

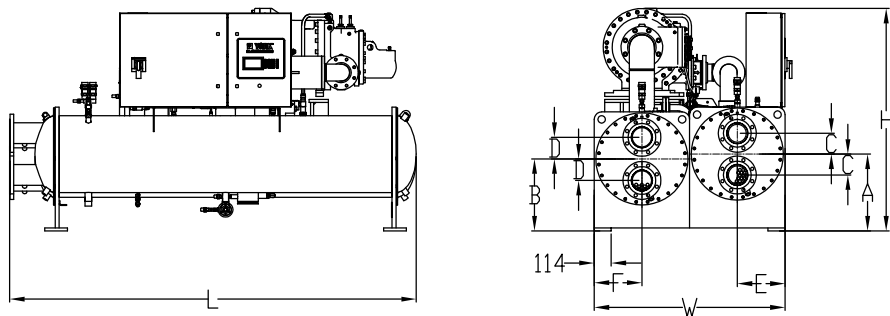


**YGWS 100**



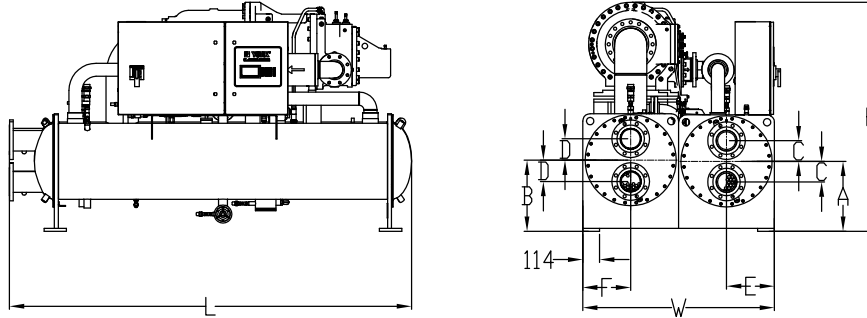
Model	L (mm)	W (mm)	H (mm)	A (mm)	B (mm)	C (mm)	D (mm)	E (mm)	F (mm)
YGWS100	2427	1280	1483	515	483	140	145	320	320

**YGWS 130**



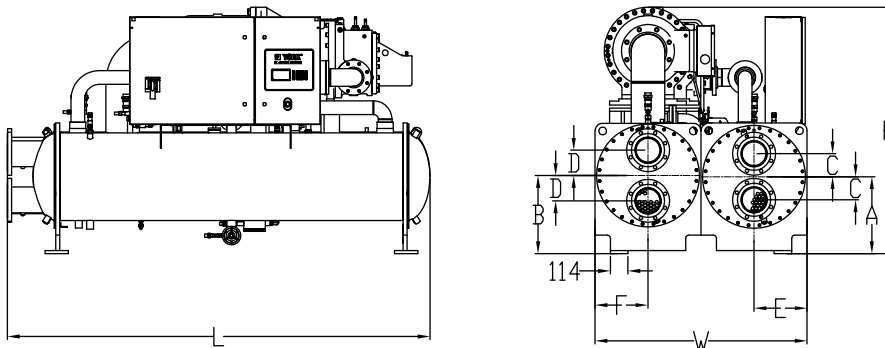
Model	L (mm)	W (mm)	H (mm)	A (mm)	B (mm)	C (mm)	D (mm)	E (mm)	F (mm)
YGWS130	2726	1280	1492	515	483	140	145	320	320

## YGWS 160



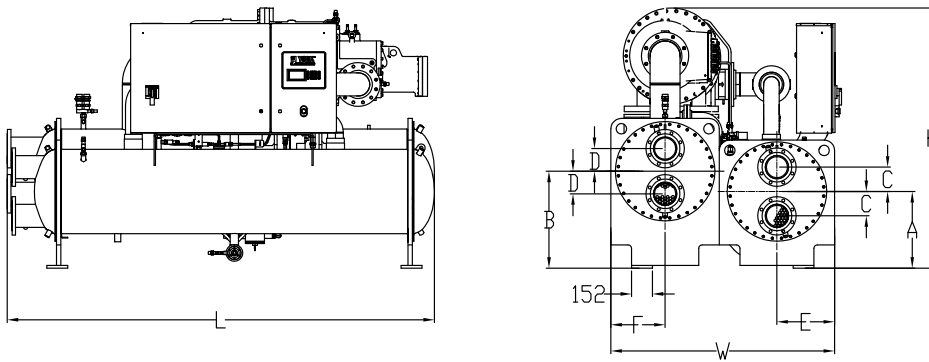
Model	L (mm)	W (mm)	H (mm)	A (mm)	B (mm)	C (mm)	D (mm)	E (mm)	F (mm)
YGWS160	2726	1300	1554	475	483	140	145	325	324

## YGWS 175/200



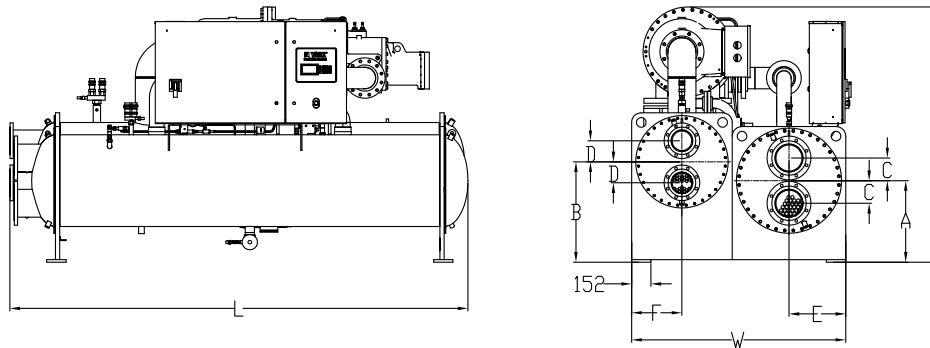
Model	L (mm)	W (mm)	H (mm)	A (mm)	B (mm)	C (mm)	D (mm)	E (mm)	F (mm)
YGWS175/200	2749	1380	1604	500	508	150	165	345	345

**YGWS 230/260**



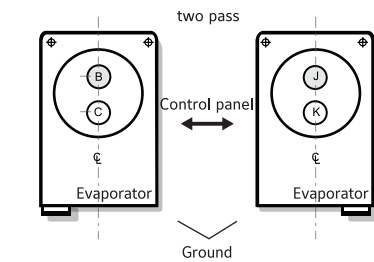
Model	L (mm)	W (mm)	H (mm)	A (mm)	B (mm)	C (mm)	D (mm)	E (mm)	F (mm)
YGWS230/260	3114	1630	1897	559	707	178	165	420	395

**YGWS 300/330**



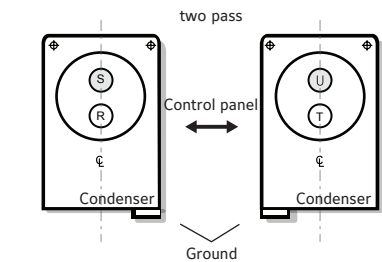
Model	L (mm)	W (mm)	H (mm)	A (mm)	B (mm)	C (mm)	D (mm)	E (mm)	F (mm)
YGWS300/330	3595	1680	2003	640	788	178	165	445	395

## Evaporator Water Pipe Connection



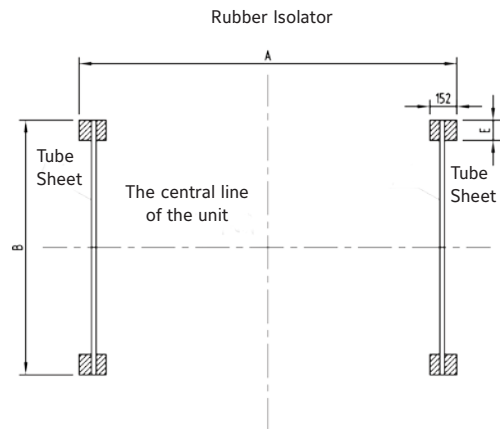
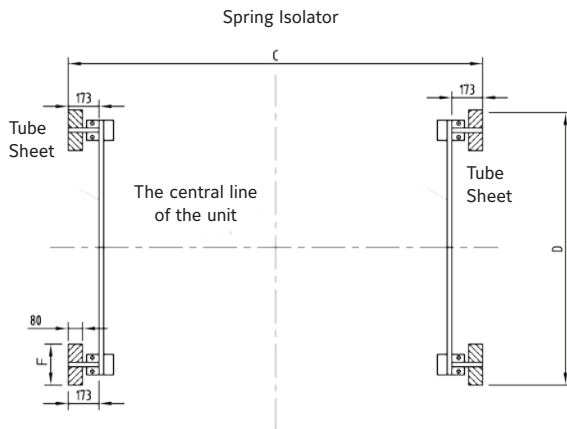
Pipe configuration		
pass	Evaporator	
	Entering water	Leaving water
2	C	B
	K	J

## Condenser Water Pipe Connection



Pipe configuration		
pass	Condenser	
	Entering water	Leaving water
2	R	S
	T	U

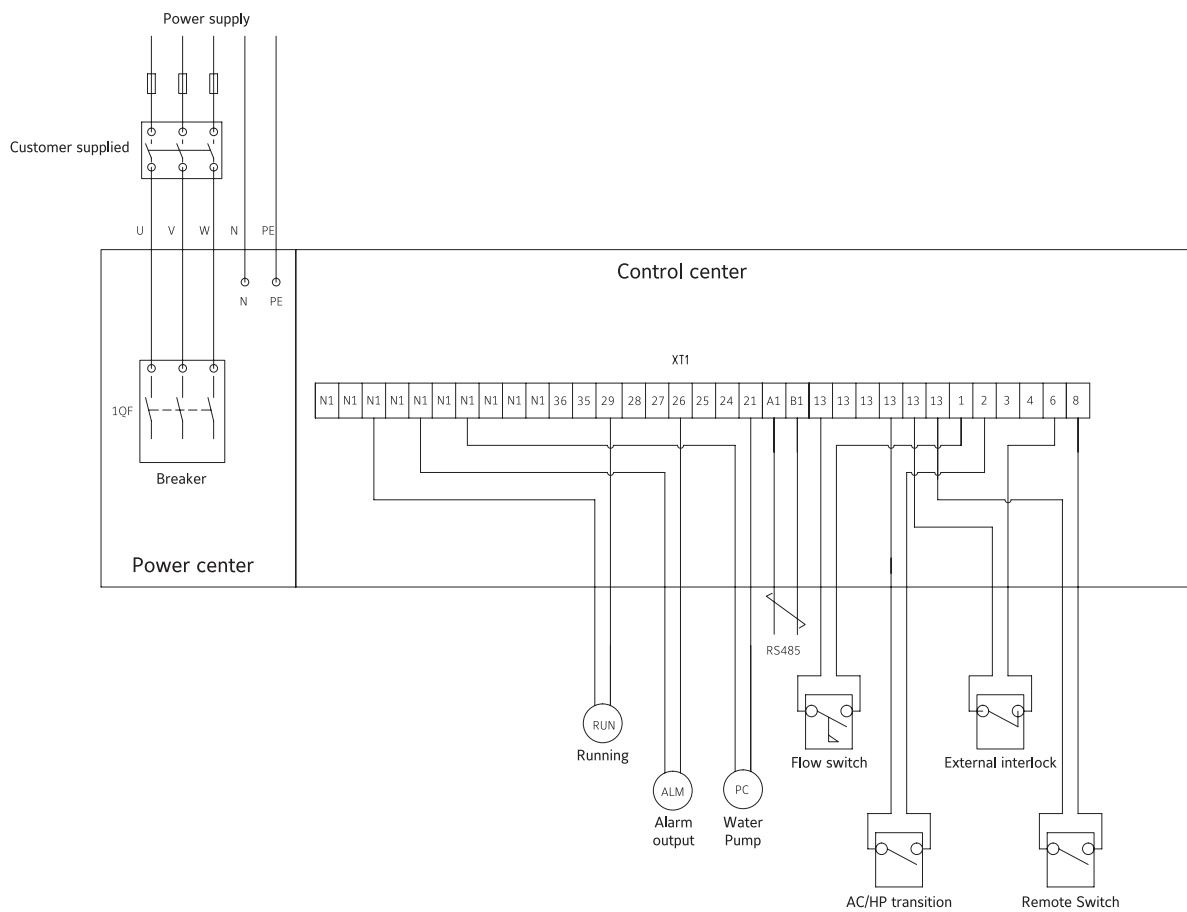
## Isolator Floor Layout



Model	A (mm)	B (mm)	C (mm)	D (mm)	E (mm)	F (mm)
YGWS100	2126	1280	2332	1366	114	200
YGWS130	2426	1280	2632	1366	114	200
YGWS160	2426	1300	2632	1386	114	200
YGWS175	2426	1180	2632	1266	114	200
YGWS200	2426	1180	2632	1266	114	200
YGWS230	2734	1330	2940	1408	152	230
YGWS260	2734	1330	2940	1408	152	230
YGWS300	3188	1680	3394	1758	152	230
YGWS330	3188	1680	3394	1758	152	230

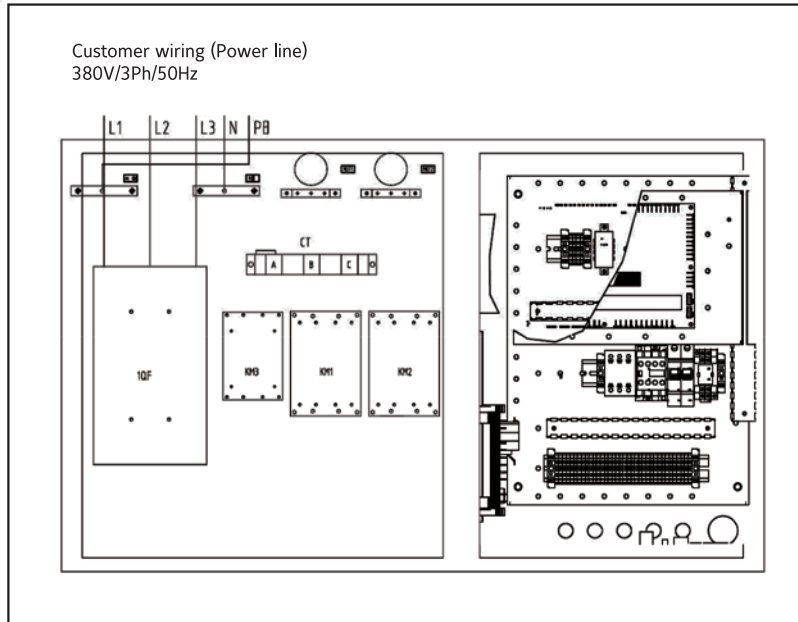


## Wiring Diagram (Wye-Delta Starter)

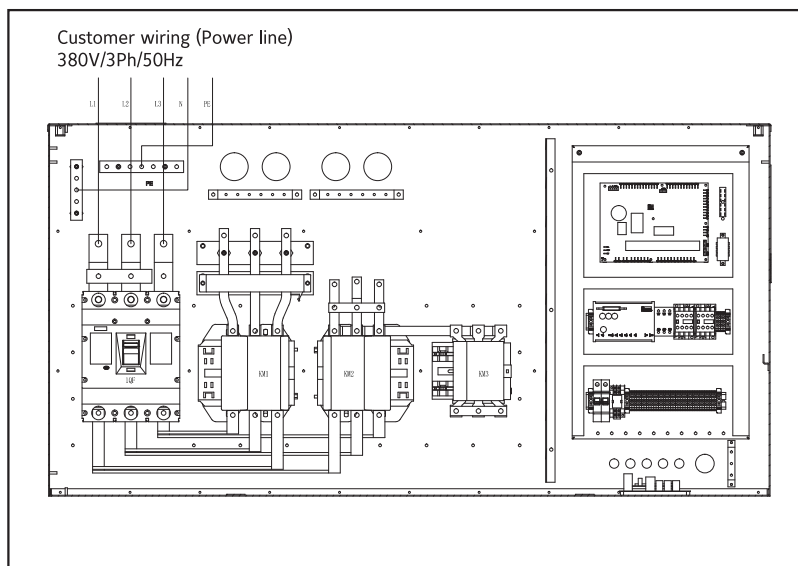


- Remarks:
1. If there is no "external interlock EXT", please jumper connect terminal "6" and "13".
  2. The cable selection should conform to the local codes.
  3. If the customer's power supply is 3 phase 4 line (L1/L2/PE), please jumper connect terminal "N" and "PE" in the electric panel.
  4. The contact resistance of flow switch, mode transition switch, external interlock and remote switch should be less than 0.5 ohm.
  5. The 485 communication cable from 485 converter to terminal must be of the same type of cable.
  6. Use twisted-pair cable with characteristic impedance 120 plus / minus 20% ohm as the bus cable.
  7. The length of communication cable should be within 1000 meters.

## Customer Wiring (YGWS100-200ton)



## Customer Wiring (YGWS230-330ton)







## Office Locations

### Australia (Sydney)

Tel: +61 (2) 9805 8300  
Fax: +61 (2) 9241 7750

### China (Shanghai)

Tel: +86 (21) 2285 7000  
Fax: +86 (21) 2285 7599

### China (Hong Kong)

Tel: +852 2885 4451  
Fax: +852 2885 7760

### China (Macau)

Tel: +853 2875 1820  
Fax: +853 2875 1825

### Indonesia (Jakarta)

Tel: +62 (21) 5366 8500  
Fax: +62 (21) 5366 8300

### Japan (Tokyo)

Tel: +81 (3) 5738 6100  
Fax: +81 (3) 5738 6298

### Korea (Seoul)

Tel: +82 (2) 1558 9117  
Fax: +82 (2) 6009 9014

### India (Mumbai)

Tel: +91 (22) 6683 7000  
Fax: +91 (22) 6683 7002

### Malaysia (Kuala Lumpur)

Tel: +60 (3) 7628 4300  
Fax: +60 (3) 7874 1180

### New Zealand (Auckland)

Tel: +64 (9) 635 0880  
Fax: +64 (9) 633 1862

### Singapore

Tel: +65 6748 0202  
Fax: +65 6743 4420

### Thailand (Bangkok)

Tel: +66 (2) 794 0101  
Fax: +66 (2) 717 1325-8



INSTALL CONFIDENCE

PUBL-7968(1118)