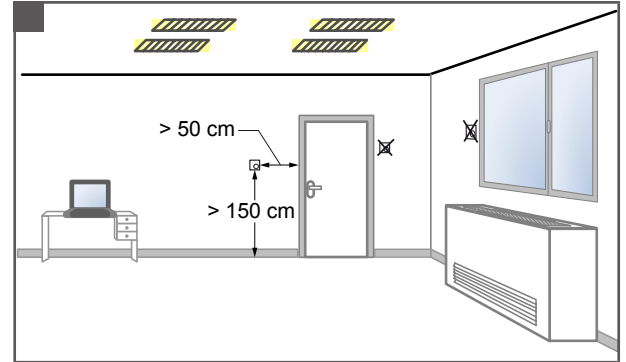
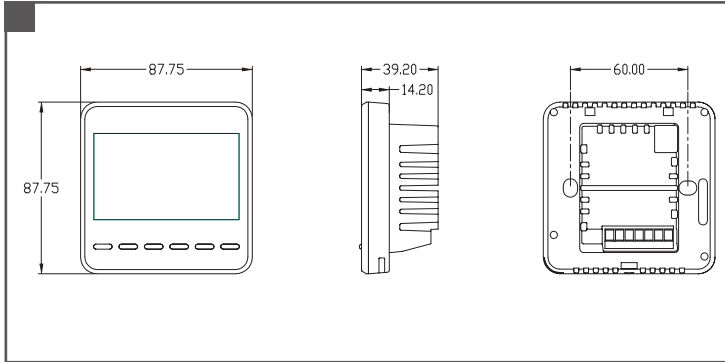




# T7200 LCD Digital Thermostat

## Installation Guide

PUBL-8902ZH Rev.–  
Issue Date: 09 2019



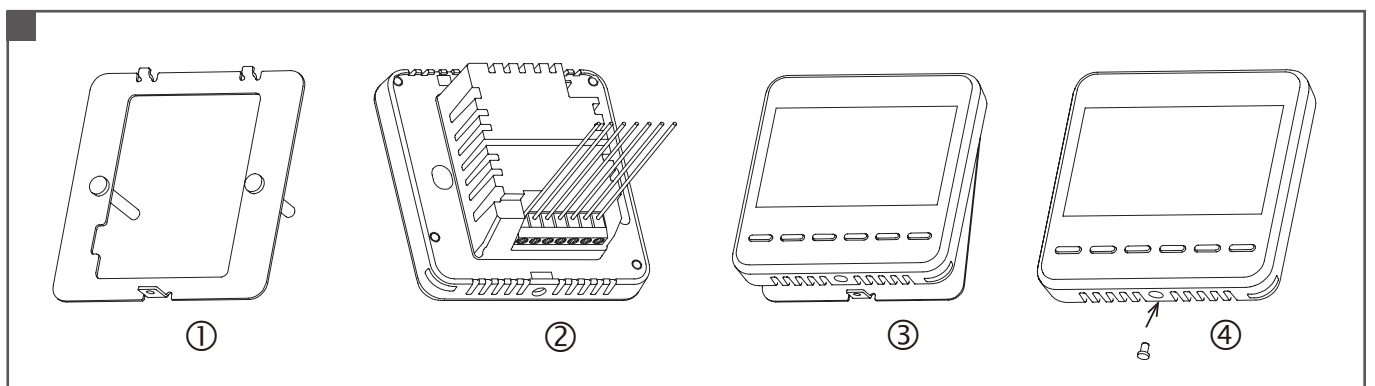
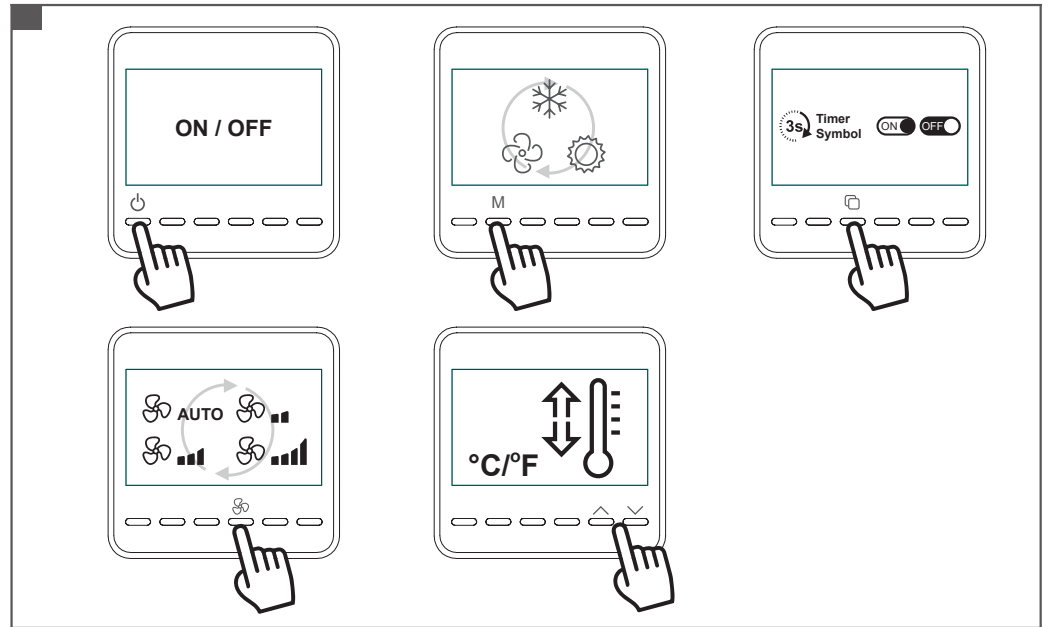
**Temperature Range:**

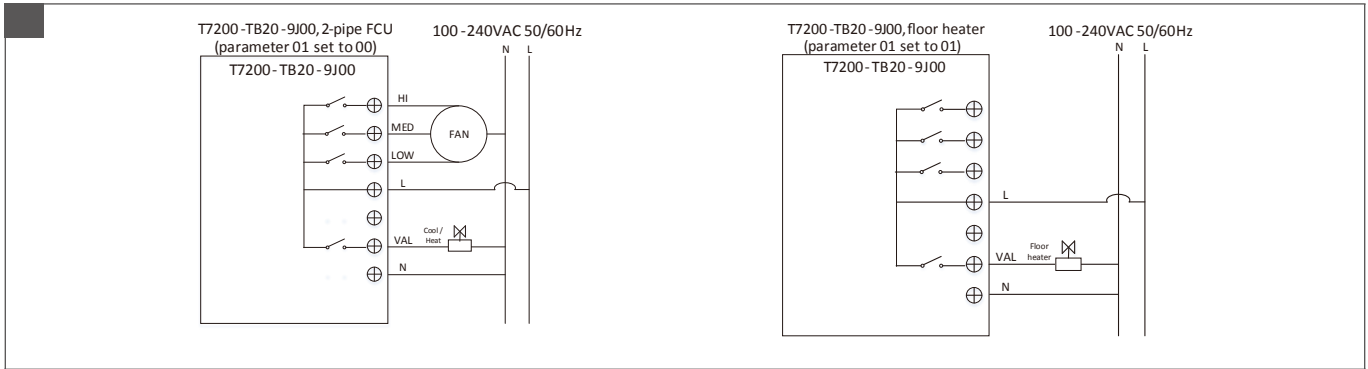
- Ambient
- Ambiente
- Umgebung
- Ambiente
- Prostředí
- Otoczenia
- Среда
- Omgivelse
- 工作环境

<b>MAX</b>	<b>MIN</b>	<b>MAX</b>	<b>MIN</b>
40 °C	-0 °C	60 °C	-10 °C
104 °F	-32 °F	140 °F	-14 °F

**Humidity Range:**

**MAX 90% RH**  
**MIN 10% RH**





**INSTALLATION INSTRUCTIONS FOR THE TECHNICIAN/FITTER**

**READ THIS INSTRUCTION SHEET AND THE SAFETY WARNING CAREFULLY BEFORE INSTALLING AND SAVE IT FOR FUTURE USE**

**REPAIR AND REPLACEMENT**

Do not attempt to repair the T7 Series thermostat. In case of an improperly functioning control, contact the nearest Johnson Controls® representative, and specify the desired product code number. When contacting the supplier for a replacement please state the type/model number of the control located on the data plate or cover label.

**IMPORTANT:**

- Use this T7 Series Thermostat only as an operating control. Where failure or malfunction of the T7 Series Thermostat could lead to personal injury or property damage to the controlled equipment or other property, additional precautions must be designed into the system. Incorporate and maintain other devices such as supervisory or alarm systems or safety or limit controls intended to warn of, or protect against, failure or malfunction of the T7 Series Thermostat.
- Do not install this thermostat in condensing, wet, or damp environments. Moisture may cause damage to the thermostat.
- Do not remove PCB from the enclosure cover. Removing the PCB from the enclosure cover voids the product warranty.
- Make all wiring connections in accordance with local, nation, and regional regulations. Do not exceed the T7 Series thermostat's electrical ratings.
- Remove LCD plastic cover before use.

**WARNING:**

Disconnect power supply before making electrical connections. Contact with components carrying hazardous voltages can cause electrical shock and may result in severe personal injury or death.


- **Risk of Electrical Shock:** Ground the thermostat according to local, national, and regional regulations. Failure to ground the thermostat may result in electrical shock and severe personal injury and death.
- **Risk of Electrical Shock and Property Damage:** Insulate and secure each unused wire lead before applying power to the thermostat. Failure to insulate and secure each unused wire lead may result property damage, electrical shock, and severe personal injury or death.

**PARAMETER SETTING (PART 1/2)**

Press and button for 5 seconds at power off mode to get in parameter list. Press M button to scroll the list and use and button to change parameter value.

Code	Parameter Name	Default	Function
01	Application	00	00: 2-pipe ON/OFF valve 01: floor heater only (boiler)
02	Upper setpoint limit	35°C	Setting range 2°C to 40°C (36°F to 99°F)
03	Lower setpoint limit	5°C	Setting range 0°C to 38°C (32°F to 95°F)
06	Frost protection	00	00: On 01: Off
07	Frost protection setpoint	5°C	Setting range 0°C to 20°C (32°F to 68°F)
08	Fan speed in AUTO mode in dead band (room temperature reach set point)	01	00: Fan off 01: Low speed
13	Restart after power failure	00	00: Keep last status 01: On 02: Off

## PARAMETER SETTING (PART 2/2)

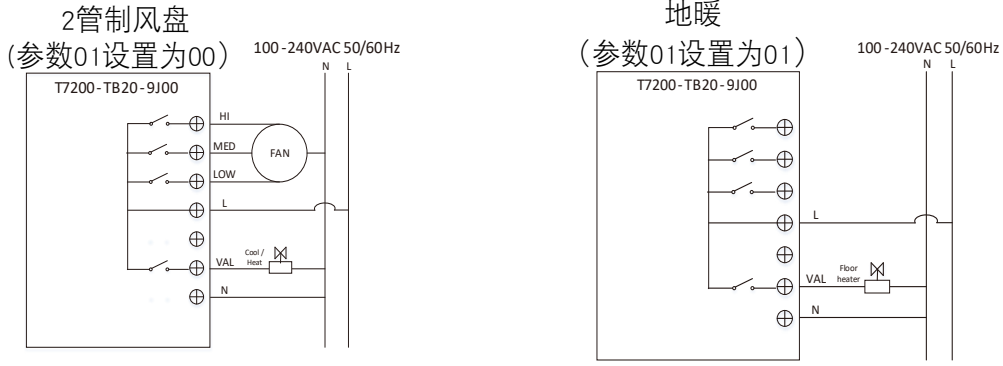
Code	Parameter Name	Default	Function
14	Keypad lock 	00	00: No lock 01: Lock all keys 02: Lock the keys except Fan Speed and Temp Adjustment keys 03: Lock the ON/OFF and Timer keys 04: Lock the keys except ON/OFF key
15	Default display	00	00: Display room temp 01: Display setpoint only
18	Unit selection	00	00: Celsius degree (°C) 01: Fahrenheit degree (°F)
19	Temperature offset	0	Setting range -5°C to 5°C (-9°F to 9°F)
20	Fan speed	00	00: 3 Speed 01: 2 Speed (Wiring MED, LOW) 02: 1 Speed (Wiring LOW) 03: No Fan
21	Language	00	00: Chinese 01: English
22	Mode selection	00	00: Cooling/heating/ventilation 01: Cooling only 02: Heating
23	Back light	30	The back light will be OFF in 05 seconds to 60 seconds.
29	Deadband	1	Setting range 0°C-10°C
37	Fan off timer (time postpone setting for fan off)	00	00 seconds- 99 seconds

### Note

- The relay output are line voltage, they are connected with Terminal "L" internally
- Press "general" button 3 seconds to enter in timer on/off mode
- Parameter 08, 20 and 22 will be hidden when parameter 01 is set to 01
- If button locked, user can unlock the button by pressing the FAN button for 5 seconds, but the button will be locked again when display backlit off

## ALARM CODE DESCRIPTION

Item	Code	Description
1	E1	Internal sensor is fault. Valves and fan are shut off when error is active.
2	HI	High temperature warning. Room Temperature >55°C (>131°F)
3	LO	Low temperature warning. Room Temperature <0°C (<32°F).



图例:

L: 火线  
N: 零线  
VAL: 阀

FLOOR HEAT: 地暖阀

LOW: 风机低速档位  
MED: 风机中速档位  
HI: 风机高速档位



**安装指导**

请在安装前仔细阅读该安装指导和安全警告维修和替换

**维修和替换:**

不要试图现场维修T7200系列温控器。如果T7200不能正常工作，请与附近江森自控办事处联系。当联系办事处更换产品的时候，请说明外部标签或参数表上印有的类型/型号。

**重要:**

- T7200系列温控器仅用作设备控制。当T7200系列温控器调节装置失灵或故障时可能会导致人员伤害，财产损失及其他配备损坏。请增加预防措施，如常使用监控及报警系统、电压保护开关等，在安装系统中。来加强此温度调节装置的机能失常和失效时的保护。
- 不要把T7200装在结露、潮湿或有湿气处。湿气会损坏温控器。
- 不要把PCB板从外壳中移出，从外壳中把PCB板拆卸移出将不再享有质保服务。
- 使所有接线符合国家、地区和当地的规定。不要超过T7200系列温控器电流容量。
- 使用前请移除LCD塑料保护壳。

**警告:**

在进行电器接线时确保电源断开。在带电时连接各部件可能引起电击，从而导致人员受伤甚至死亡。

- 电击危险：按照国家、地区和当地的规定给温控器接地。接地失效可能导致电击和人员伤亡甚至死亡。
- 电击危险和财物损失：在温控器通电前把未使用的线头保护好，使之绝缘。任何一个未使用的线头未被绝缘和保护可能导致财产损失，电击和人员伤亡甚至死亡。

参数设定关机状态下同时按 和 键5秒进入参数设定列表，按M键切换参数设定项，按 / 键修改参数。

编号	编号	默认值	功能含义
01	应用	00	00: 2管制开关阀; 01: 单地暖
02	设定值上限	35°C	设定范围2°C – 40°C (36°F – 99°F)
03	设定值下限	5°C	设定范围0°C – 38°C (32°F – 95°F)
06	低温保护	00	00: 开启; 01: 关闭;
07	低温保护设定值	5°C	设定范围0°C-20°C
08	死区风机状态	00	00: 关闭; 01: 低风速
13	掉电重启	00	00: 恢复掉电前状态; 01: 开启; 02: 关闭;

## 参数设定

编号	编号	默认值	功能含义
14	按键锁 	00	00: 禁用; 01: 锁定所有按键; 02: 除风速及温度调节按键, 锁定其他按键; 03: 锁定开关及通用按键; 04: 除开关键, 锁定其他按键
15	默认显示	00	00: 室内温度; 01: 温度设定值
18	温度单位	00	00: 摄氏度(°C) 01: 华氏度(°F)
19	温度偏移	0	设定范围-5°C - 5°C(-9° - 9°F)
20	风速	00	00: 三风速; 01: 两风速 (接MED, LOW); 02: 单风速 (接LOW); 03: 风扇禁用
21	语言	00	00: 中文; 01: 英文;
22	模式	00	00: 制冷/制热/通风; 01: 单冷; 02: 单热;
23	背光	30	05 seconds - 60 seconds, xx秒无操作, 背光熄灭
29	死区范围	1	设定范围0°C-10°C
37	风机延迟关闭时间设定	00	00-99 秒

- 温控器内部继电器与火线相连
- 按通用键三秒进入定时开关机模式
- 参数01被设置为01时, 参数08 20 22会被禁用
- 启用按键锁功能后, 用户可以长按风速键5秒解锁按键, 当屏幕背光灭掉后按键会被重新锁定

## 报警代码描述

编号	代码	描述
1	E1	内置温度传感器故障报警
2	HI	高温报警, 室内温度 > 55°C
3	LO	低温报警, 室内温度 < 0°C

## 产品中有害物质的名称及含量

部件名称	有害物质					
	铅 (Pb)	汞 (Hg)	镉 (Cd)	六价铬 (Cr (VI))	多溴联苯 (PBB)	多溴二苯醚 (PBDE)
塑胶部件	○	○	○	○	○	○
电路板及组件	X	○	○	○	○	○
金属部件	○	○	○	○	○	○

本表格依据SJ/T11364的规定编制

○：表示该有害物质在该部件所有均质材料中的含量均在GB/T26572规定的限量要求以下

×：表示该有害物质在该部件所有均质材料中的含量超出GB/T26572规定的限量要求

(产品中使用的物料超出SJ/T11364标准，但在欧盟RoHS中，此项为豁免，因目前技术无法有符合SJ/T11364的替代材料)



### Software terms

Use of the software that is in (or constitutes) this product, or access to the cloud, or hosted services applicable to this product, if any, is subject to applicable terms set forth at [www.johnsoncontrols.com/techterms](http://www.johnsoncontrols.com/techterms). Your use of this product constitutes an agreement to such terms.

### Product warranty

This product is covered by a limited warranty, details of which can be found at [www.johnsoncontrols.com/buildingswarranty](http://www.johnsoncontrols.com/buildingswarranty).

### European Single Point of Contact:

JOHNSON CONTROLS  
WESTENDHOF 3  
45143 ESSEN  
GERMANY

### NA/SA Single Point of Contact:

JOHNSON CONTROLS  
507 E MICHIGAN ST  
MILWAUKEE WI 53202  
USA

### APAC Single Point of Contact:

JOHNSON CONTROLS  
C/O CONTROLS PRODUCT MANAGEMENT  
NO. 22 BLOCK D NEW DISTRICT  
WUXI JIANGSU PROVINCE 214142-CHINA

### Building Technologies & Solutions

Headquarters: Milwaukee, Wisconsin, USA

Branch Offices: Principal Cities World-wide

Johnson Controls® are registered trademarks of Johnson Controls.

All other marks herein are the marks of their respective owners.

© Copyright 2019 Johnson Controls. All rights reserved. Any unauthorized use or copying is strictly prohibited.

[www.johnsoncontrols.com](http://www.johnsoncontrols.com)

